

SOT-23 SCHOTTKY BARRIER DIODE

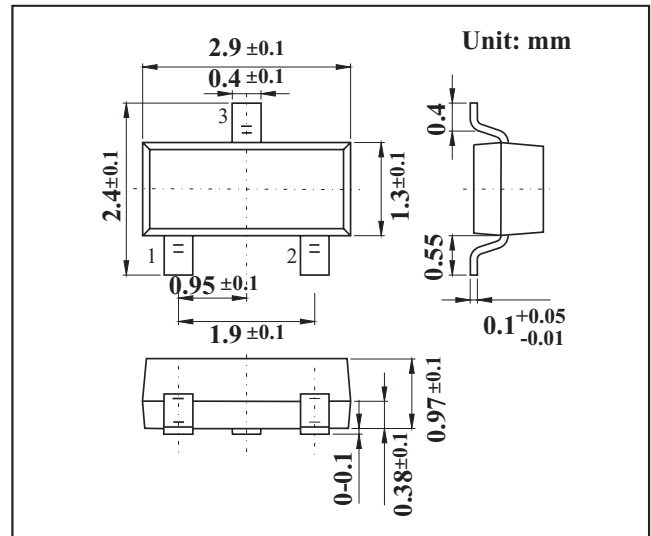
VOLTAGE RANGE: 40V PEAK PULSE POWER:200mW

FEATURES

- Low Forward Voltage
- Fast Switching

MECHANICAL DATA

- Case: SOT-23 Small Outline Plastic Package
- Polarity: Color band denotes cathode end
- Mounting Position: Any



MAXIMUM RATINGS AND CHARACTERISTICS

@ 25°C Ambient Temperature (unless otherwise noted)

Parameter	Symbol	Limit	Unit
Peak repetitive peak reverse voltage	V_{RRM}	40	V
Working peak reverse voltage	V_{RW}		
DC blocking voltage	V_R		
Forward continuous current	I_{FM}	200	mA
Power dissipation	P_D	200	mW
Thermal resistance junction to ambient	$R_{\theta JA}$	500	°C/W
Junction temperature	T_J	125	°C
Storage temperature range	T_{STG}	-55~ +150	°C

Electrical Specification ($T_A=25^\circ\text{C}$ unless otherwise specified)

Parameter	Symbol	Test conditions	Min	Max	Unit
Reverse breakdown voltage	$V_{(BR)}$	$I_R=10\mu\text{A}$	40		V
Reverse voltage leakage current	I_R	$V_R=30\text{V}$		200	nA
Forward voltage	V_F	$I_F=1\text{mA}$ $I_F=40\text{mA}$		380 1000	mV
Diode capacitance	C_D	$V_R=0, f=1\text{MHz}$		5	pF
Reverse recovery time	t_{rr}	$I_{rr}=1\text{mA}, I_R=I_F=10\text{mA}$ $R_L=100\Omega$		5	ns

MARKING:

BAS40	BAS40-06	BAS40-05	AS40-04
43	46	45	44

RATINGS AND CHARACTERISTIC CURVES

